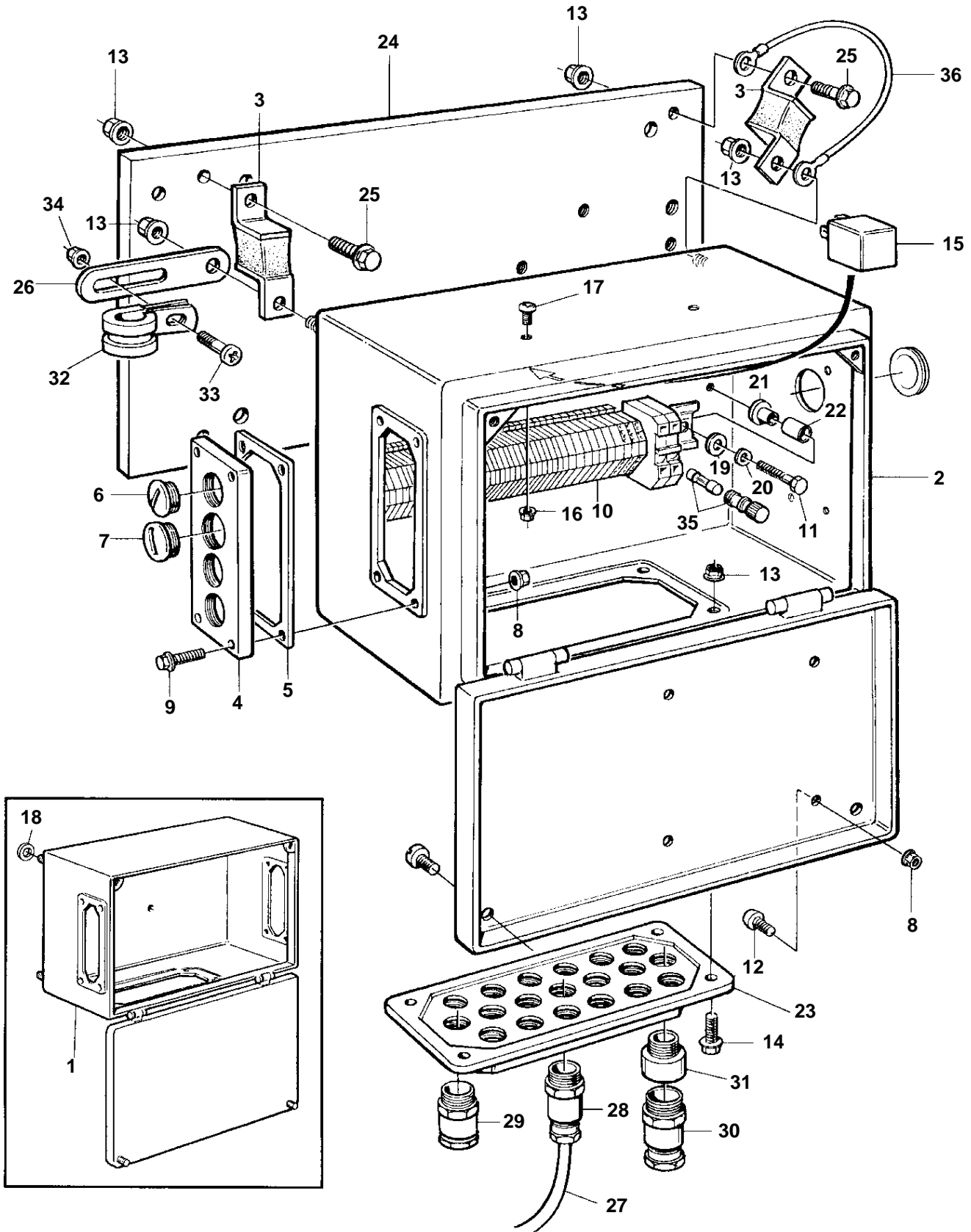


TAMD 71B (AUX)



17133

TAMD 71B (AUX)

REF	PART NO.	QTY	DESCRIPTION	SEE SEC.	NOTES
1	843536	1	Box		REPL BY 873885
3	845513	1	Absorber		
4	843094	2	Flange		
5	843578	2	Gasket		
6	843903	6	Plug		
7	843904	2	Plug		
8	963105	12	Nut		M6
9	946544	8	Flange screw		M6x16
10		1	Terminal block		(873608)
11	956081	2	Screw		M5x25
12	956093	4	Screw		M6x14
13	948645	12	Lock nut		M8
14	946440	4	Flange screw		M8x16mm
15	9518230	5	Relay		
16	963104	2	Nut		M5
17	956075	2	Screw		M5x10
18	976944	4	Washer		(966674)
19	960138	2	Washer		
20	941905	2	Spring washer		
21	824830	2	Spacer sleeve		
22	403894	2	Spacer sleeve		
23		1	Flange		
24		1	Bracket	2221	
25	946173	4	Flange screw		M8x20mm
26	965534	2	Bracket		
27	862989	X	Cable		2x1,5sq.mm. Non reinforced ship cable approved by classification societies.
28	881191	X	Cable union		7,5-10,5mm, PR 18,6
29	844576	X	Cable union		9,5-12,0mm, PR 18,6
30	881192	X	Cable union		12,5-15,0mm, PR 22,5
31	872939	1	Adapter, electr box-altern-starter	SO	
32	952637	2	Clamp		
33	956093	2	Screw		
34	949278	2	Lock nut		
35	873712	5	Fuse		
36		X	Cables and terminals	1963	